

AL330

ARTICULATED LOADER



KEY FEATURES

- 4-Post Open Canopy ROPS and FOPS Certified
- Front Auxillary Hydraulics w/ Flat-Faced Couplers
- Inching Pedal
- Digital Display with Audible and Visual Indicators
- Automotive Style Hydrostatic Drive, 2-Speed
- Perkins Diesel Engine
- Deluxe, Tilttable Steering Column
- Multi-Function Joystick



AL330 ARTICULATED LOADER

SPECIFICATIONS

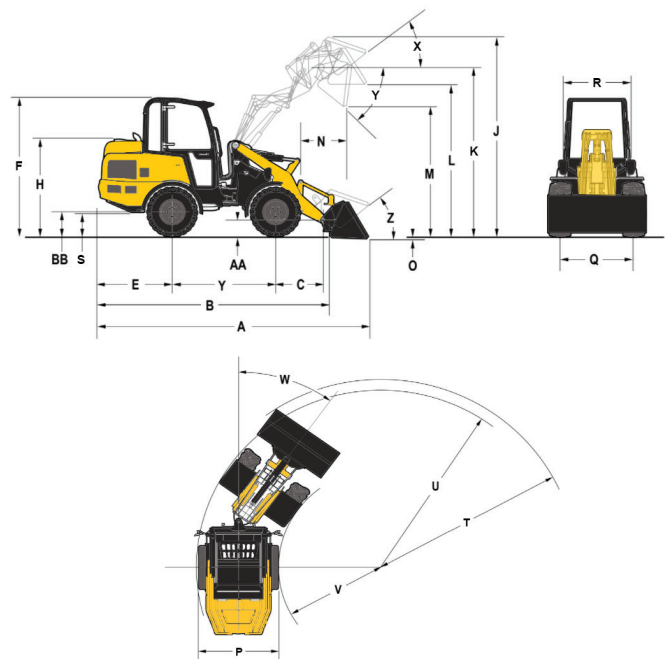
		IMPERIAL	METRIC	
DIMENSIONS	A	Overall Length w/ Bucket Level	163.5" / 4154 mm	
	B	Overall Length - Less Bucket	136.1" / 3458 mm	
	C	Front Wheel Center to Hinge Pin - Arm Down	26.3" / 669 mm	
	D	Wheel Base	65" / 1650 mm	
	E	Rear Overhang	39.2" / 995 mm	
	F	Overall Height @ ROPS	88.9" / 2258 mm	
	H	Height to Top of Hood	55.3" / 1405 mm	
	J	Overall Operating Height - Fully Raised, Bucket Rolled Back	145.5" / 3696 mm	
	K	Height to Hinge Pin - Fully Raised	114.2" / 2900 mm	
	L	Ground Plane to Bucket Edge Height	104.9" / 2665 mm	
	M	Dump Height - Fully Raised	85.4" / 2170 mm	
	N	Dump Reach - Fully Raised	18.9" / 479 mm	
	O	Digging Position (+Above Ground / -Below Ground)	3.1" / 79 mm	
	P	Overall Width - Less Bucket	43.3" / 1100 mm	
	Q	Track or Tread Width (Wheel Center)	32.9" / 836 mm	
	R	Widest Fixed Point on Machine (ROPS width)	39" / 991 mm	
	S	Ground Clearance	12.6" / 320 mm	
	T	Clearance Radius - Front w/ Bucket @ Carry Position	127.8" / 3246 mm	
	U	Clearance Radius - Less Bucket	108.9" / 2767 mm	
	V	Clearance Radius - Inner	63.9" / 1623 mm	
	W	Max Articulation Angle	45°	
	X	Maximum Rollback Angle - Fully Raised	48°	
	Y	Dump Angle - Fully Raised	42°	
	Z	Maximum Rollback Angle @ Ground	49°	
	AA	Quick-Attach Hinge Pin Ground Clearance (Pin Center)	6.7" / 170 mm	
	BB	Height from Ground to Axle Center	8.4" / 214 mm	
	CC	Bucket Width	59.8" / 1520 mm	
	Maximum Oscillation Angle	10°		
CAPACITIES	Static Tipping Load with Bucket Straight	3638 lbs	1650 kg	
	Static Tipping Load with Bucket Full Turn	3197 lbs	1450 kg	
	Static Tipping Load with Forks Straight	2756 lbs	1250 kg	
	Static Tipping Load with Forks Full Turn	2414 lbs	1095 kg	
	Bucket Breakout	4442 lbs	2015 kg	
	Unladen Weight With 4-Post Canopy	4784 lbs	2170 kg	
ENGINE	Engine Manufacturer	Perkins		
	Model / Number of Cylinders	403J-17 / 3		
	Power @ 2800 rpm	24.7 hp	18.4 kW	
	Maximum Torque / Engine Rotation @ 1800 rpm	62.7 ft/lbs	85 Nm	
HYDRAULICS	Work Hydraulic System Flow	7.9 gpm	30 lpm	
	Drive Hydraulic System Pressure	3002 psi	207 bar	
OTHER	Travel Speeds	12.4 / 17.5 mph	20 / 28 km/hr	
	Fuel Tank Capacity	13.2 gal	50 L	
	Tires	US 33 x 15.5 - 16.5 EU 15.0 x 55 - 17		

STANDARD FEATURES

- Automotive Style Hydrostatic Drive, 2-Speed, 12.4 mph (20 km/hr)
- Counterweight
- Front/Rear Tie Downs
- Heavy-Duty Axles
- Steering/Frame Transport Lock
- Deluxe Instrument Panel
- Battery Disconnect
- Perkins Diesel Engine
- Lockable Engine Cover
- Radiator/Hydraulic Cooler - Side By Side
- Front Auxillary Hydraulics w/ Flat-Faced Couplers
- Adjustable Seat - 5-Way
- Adjustable Seat Belt 2 in. (50 mm)
- Braking/Inching Pedal
- Deluxe, Tilttable Steering Column
- Horn
- Multi-Function Joystick

OPTIONAL FEATURES

- Cabin with Heat
- Differential Locking
- Air suspension seat
- LED Work Lights
- LED Road Lights
- Different wheel options
- Side gates



GEHL COMPACT EQUIPMENT

West Bend, WI 53095 U.S.A. | Tel: 262-334-9461 | Fax: 262-338-7517

GEHL Company reminds users to read and understand the operator's manual before operating any equipment. Also, make sure all safety devices and shields are in place and functioning properly.

GEHL reserves the right to add improvements or make changes in specifications at any time without notice or obligation.